



Allgaier

Vibration Tumbler Screens

Vibration Tumbler Screens

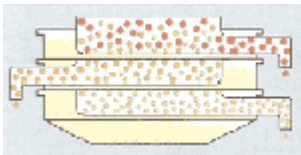
The series VTS machines are tumbler screening machines driven by unbalanced motors, adjustable centrifugal discs which permit generation of a controlled oscillating motion which moves the material across the screen without damaging it. The VTS system achieves high output, particularly with wet and pasty materials.



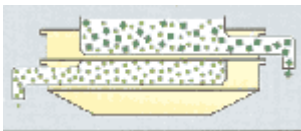
Features

- Upper deck open or covered
- Single and multiple screening systems
- High industry finish for the food industry
- Explosion-proof motors if required
- Dust tight
- A wide range of machine sizes.

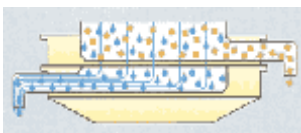
Classification/scalping/ dewatering



Ranking the coarse particles will mostly be done by separating them from finer material or in several fractions.



Scalping and removal of oversized particles or a layer of coarse material occurs through a high processing capacity.



Dewatering/waste water cleaning and recovery through firm particles which clean liquid, mire or waste water and enabling to clean up to drinking water.



Popular technology



In addition to the bouncing-ball system, which cleans the mesh cloth we have a ultrasonic cleaning system, which can accelerate the process through a hole into a finer filter.

Advantages

- Maintenance free vibration motor
- Long lifetime of screen inserts
- Bouncing-ball or ultrasonic cleaning to keep the meshes free
- Simple and fast change of screen inserts
- Low power consumption
- Simple adaptation to different products
- Low foundation loading.



A large range of applications



Recovery of coal dust



Industrial coal dust installations



Filtering of fluorescent parts



Production of flour



Fine, coarse, light, heavy, liquid or pasty

Heated system for liquid chocolate

Heated versions of our VTS models are used successfully for the scalping of melted chocolate or cocoa. The heating system is maintained at a steady temperature in order to prevent the melted chocolate from setting.

A versatile system for:

- Screening
- Sorting
- Classifying
- Watering
- Dusting

Scalping & Control screening

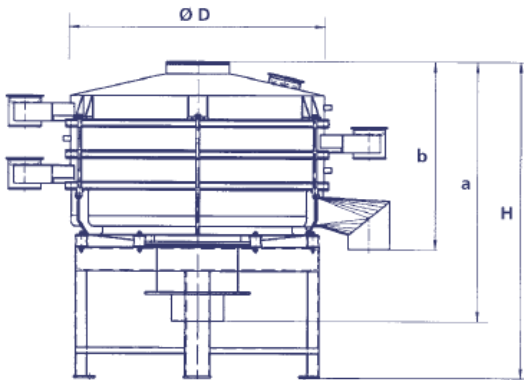
Used on material of different structure:

- Dry
- Moist
- Pasty
- Slurry
- Wet
- Fibrous.

Vibration Tumbler Screening Machines VTS for unlimited applications.

Screening machines of the VTS series are suitable for the economical processing of almost all bulk solids with fine to medium and coarse grains.

The VTS is also ideal for screening of wet materials. The vibrating motion can be adjusted to match the required screening quality and the throughput.



Versatile use

- Dry and wet screening
- Classification up to 4 fractions
- Protective and control screening
- Removal of dust
- Removal of liquids

Features

- Flexible adaptation to the product
- Modular system
- Bouncing-ball or ultrasonic screen cleaning
- Durable screen mesh
- Simple and quick screen replacement
- Dust- and water-tight
- Low power consumption
- Low foundation loading

Types	VTS 600	VTS 800	VTS 950	VTS 1200	VTS 1400
Ø D mm	600	800	1000	1200	1427
Screen area per deck m ²	0.28	0.5	0.7	1.1	1.59
Rated electrical power kW	0.3	0.55	1.1	1.6	2.2
Weight kg (without supporting frame)					
1-Deck	140	200	280	340	555
2-Decks	152	220	320	380	625
3-Decks	160	240	360	420	695
Dimensions mm	H / a / b	H / a / b	H / a / b	H / a / b	H / a / b
1-Deck	938 / 730 / 380	1068 / 772 / 428	1065 / 787 / 373	1268 / 985 / 628	1330 / 999 / 485
2-Decks	1016 / 808 / 458	1205 / 909 / 565	1180 / 902 / 488	1425 / 1142 / 785	1469 / 1138 / 624
3-Decks	1094 / 886 / 536	1342 / 1046 / 702	1295 / 1017 / 603	1580 / 1299 / 940	1608 / 1277 / 763

Options

- With cover or open top
- With hinged cover
- With quick-action clamps
- One to three decks
- High-quality finish for the pharmaceutical and foodstuff industries
- With bouncing-ball cleaning
- With spraying device
- ATEX certified



VTS screening machine with ultrasonic cleaning

Alternatively to the bouncing-ball cleaning system, ultrasonic cleaning system ensures continuous efficient debinding of the mesh cloth, thus resulting in a durable and continuous screening.



Heated system for screening of liquid chocolate

Heated VTS systems are used for the control screening of liquid chocolate and cocoa. The heating system keeps the product at a constant temperature in order to prevent it from solidifying.



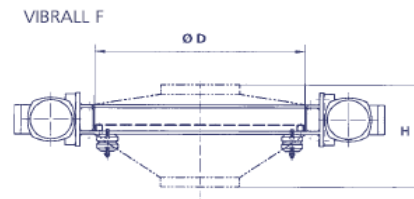
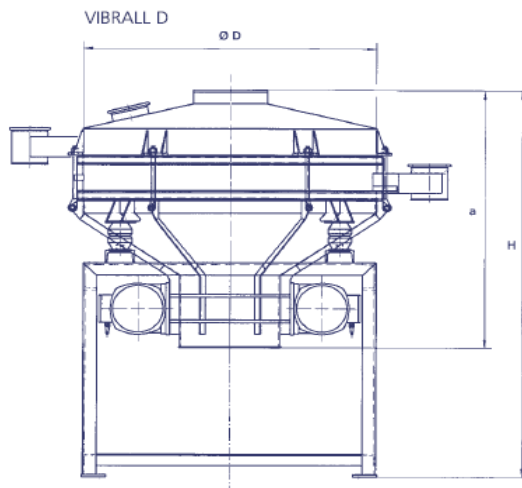
Vibration Screening Machines VIBRALL for control screening of dry bulk goods.

The screening machines of the VIBRALL series are used for both protective and control screening of pourable bulk goods.

Due to the central position of the material inlet and outlet, the VIBRALL screening machines are especially suitable for the use in vertical transport systems with high throughput.

Versatile use

- Control screening
- Protective screening
- Coarse to fine grain sizes
- Dry bulk goods
- All industries



Types	D 500	D 600	D 800	D 950	D 1200
Ø D mm	500	600	800	1000	1200
Screen area per deck m ²	0.2	0.28	0.5	0.7	1.1
Rated electrical power kW	2 x 0.17	2 x 0.3	2 x 0.525	2 x 0.68	2 x 0.75
Weight kg					
1-Deck	104	130	250	340	440
2-Decks	–	145	310	370	470
Dimensions mm	H / a	H / a	H / a	H / a	H / a
1-Deck	875 / 330	1025 / 575	1191 / 743	1358 / 743	1552 / 982
2-Decks	–	1103 / 653	1328 / 880	1473 / 858	1709 / 1139

Options

- With cover or open top
- With hinged cover
- With quick-action clamps
- One or two decks
- High-quality finish for the pharmaceutical and foodstuff industries
- Counter vibrating frame
- With bouncing-ball cleaning
- ATEX certified

VIBRALL screening machine with ultrasonic cleaning

Alternatively to the bouncing-ball cleaning system, ultrasonic cleaning system ensures continuous efficient debinding of the mesh cloth, thus resulting in a durable and continuous screening.

Control screen VIBRALL F

- Ideal for unloading and filling stations
- Extremely low overall height
- Permanently installed or mobile



D 1600	D 1800	F 600	F 800	F 950	F 1200
1520	1830	600	800	1000	1200
1.85	2.60	0.28	0.5	0.7	1.1
2 x 1.1	2 x 1.1	2 x 0.3	2 x 0.3	2 x 0.3	2 x 0.3
1200	1280	180	200	240	280
1240	–	–	–	–	–
H / a	H / a	H	H	H	H
2027 / 1129	1665 / 1265	330	421	509	597
2221 / 1323	–	–	–	–	–