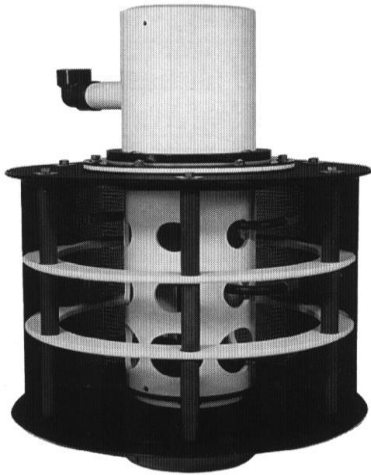




SCS Strainer

Self Cleaning Suction Screens



Applications

- Irrigation systems
- Rain systems
- Golf courses
- Tennis courts
- Sporting fields
- Water make up systems
- Desalination plants
- Fire fighting systems
- Pump suction strainer
- Industrial coarse pre filter in circulation systems.

Operation principle

The SCS self cleaning intake screen is used when it is necessary to filter floating debris in water intake systems, which could block the water flow or clog up pumps and water distribution systems. The same function may be used in industrial applications, where collection and build up of particles in a sump cause problems. The SCS self-cleaning suction strainer is a constantly rotating intake screen. The rotating movement will be maintained by diverting a small amount of the total flow back into the strainer. This causes the pressure of the flow to increase and will flush the debris off the screen and force the strainer into its rotating movement. If the pump pressure is too low, or in case of gravity feed, an auxiliary booster pump is recommended to supply the cleaning flow rate.

Backwash

The diverted backwash flow feeds the spray nozzles, which have two functions:

- The impact causes the aluminum screen to rotate, at a speed of about 20-RPM
- The force and velocity of the jets blasts the solids away from the screen.

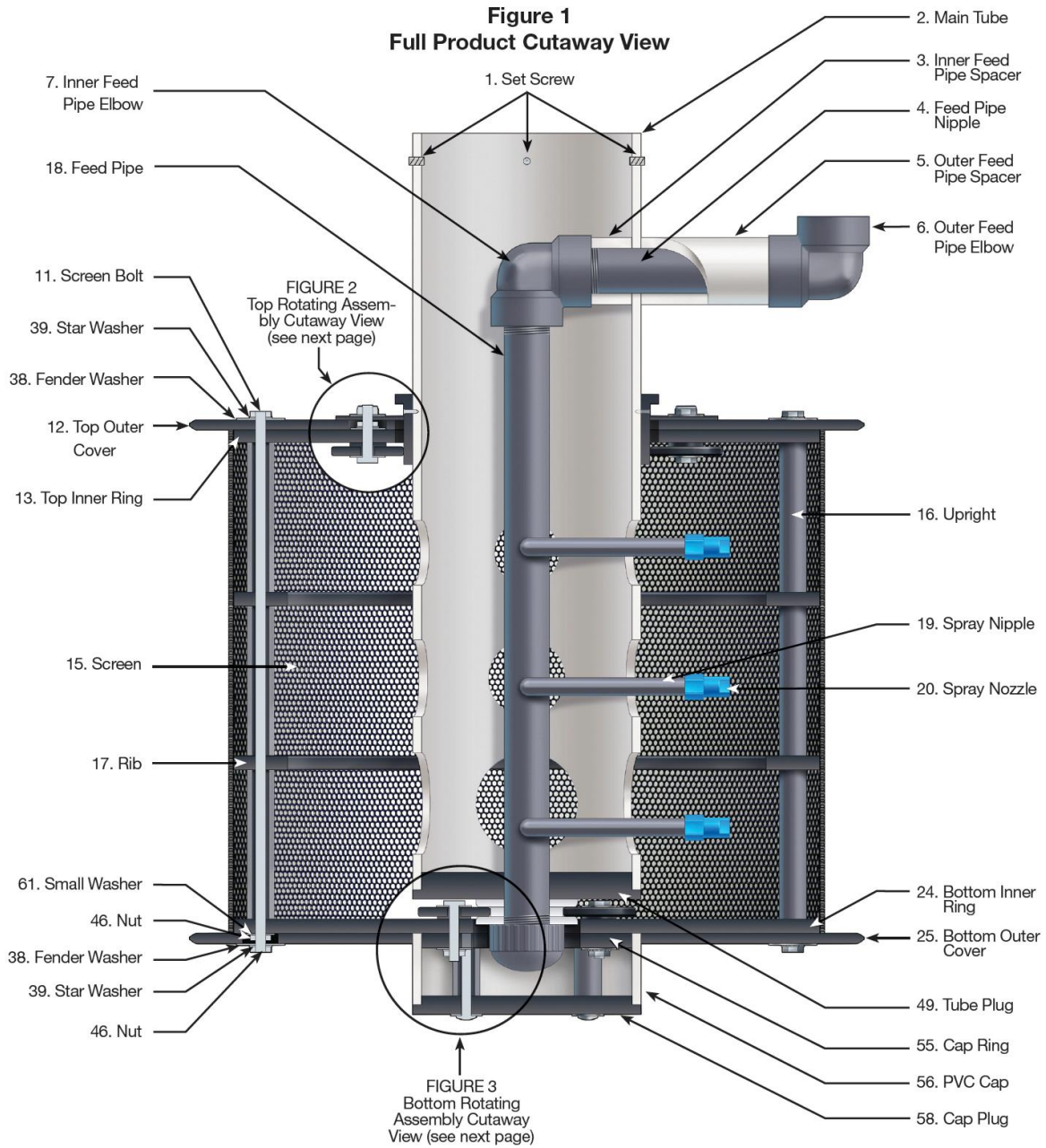
The jets are stationary and create a directional flow, which carries the debris away from the screen.

| SD types (single drive) | | | | | |
|-------------------------|--------------------------------|--------------------------------|---------------|-------|--------|
| type | max. cap. m ³ /h | nom. cap. m ³ /h | min. pressure | inlet | supply |
| SCS2 | 11 | 1.2 | 2.5 | 2" | 15 mm |
| SCS3 | 36 | 1.4 | 4.2 | 3" | 1" |
| SCS4 | 74 | 2.9 | 4.2 | 4" | 1" |
| SCS6 | 142 | 5.4 | 4.2 | 6" | 1 ½" |
| SCS8 | 261 | 7.3 | 4.2 | 8" | 2" |
| SCS10 | 341 | 9.8 | 4.6 | 10" | 2" |
| SCSI0BB | 432 | 11.8 | 4.6 | 10" | 2" |
| SCS10XL | 568 | 17.7 | 4.6 | 10" | 2" |
| SCS12XL | 568 | 17.7 | 4.6 | 12" | 2" |

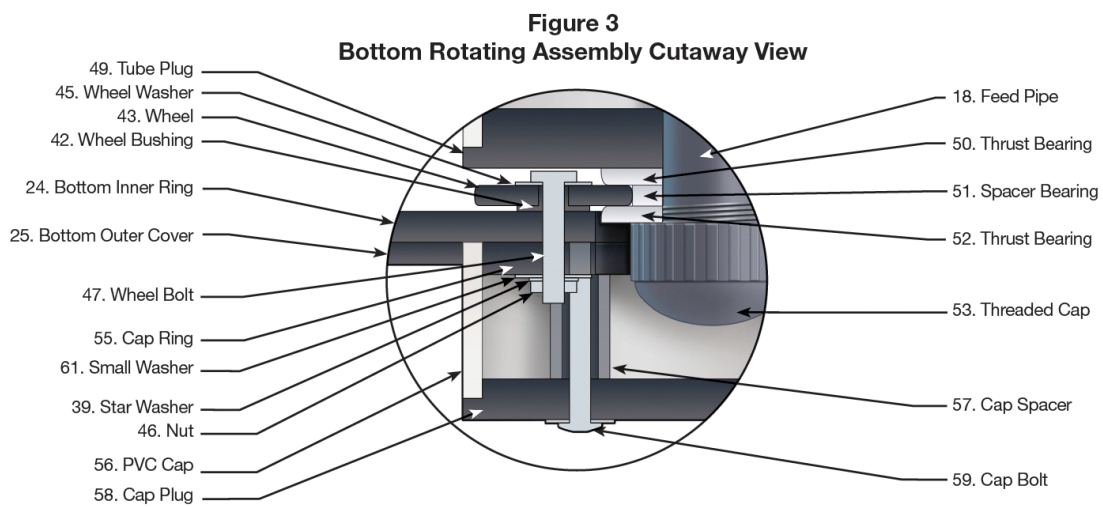
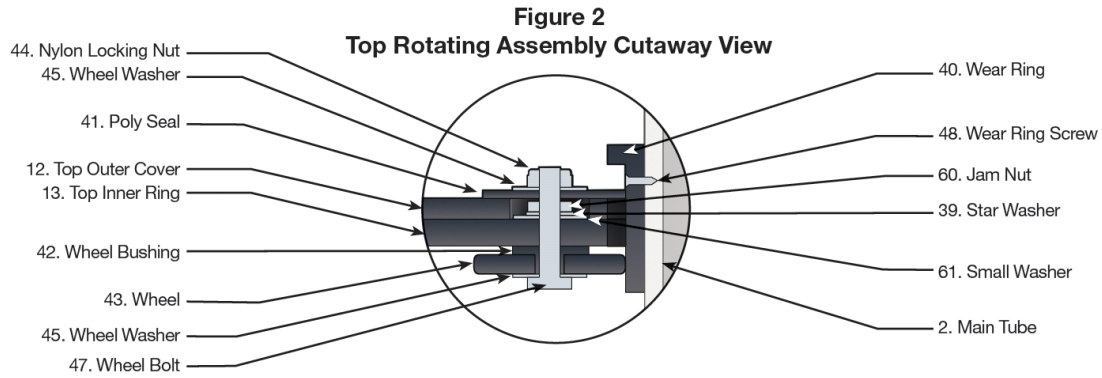
| DD types low pressure (double drive) | | | | | |
|--------------------------------------|---------------------------------|--------------------------------|---------------|-------|--------|
| type | max. cap. m ³ /hr | nom.cap. m ³ /hr | min. pressure | inlet | supply |
| SCS3-DD | 45 | 3.5 | 3.2 | 4" | 1" |
| SCS4-DD | 91 | 7.0 | 3.2 | 4" | 1" |
| SCS6-DD | 165 | 10.2 | 3.2 | 6" | 1½" |
| SCS8-DD | 330 | 13.6 | 3.2 | 8" | 2" |
| SCS10-DD | 426 | 17.0 | 3.2 | 10" | 2" |
| SCS10BB-DD | 534 | 20.4 | 3.2 | 10" | 2½" |
| SCS10XL-DD | 670 | 20.4 | 3.2 | 10" | 2½" |
| SCS12XL-DD | 670 | 20.4 | 3.2 | 12" | 2½" |

| type | capacity single drive | | | capacity double drive dd | | | dimensions / mm | | | |
|---------------------------|-----------------------|------|--------|--------------------------|------|--------|-------------------------|--------|-------|--------|
| | 2.5 mm | 1 mm | 0.6 mm | 2.5 mm | 1 mm | 0.6 mm | length | screen | diam. | weight |
| Screen size | | | | | | | | | | |
| SCS 3 | 36 | 26 | 22 | 45 | 32 | 27 | 395 | 155 | 265 | 5 kg |
| SCS 4 | 74 | 55 | 47 | 91 | 68 | 58 | 545 | 305 | 265 | 7 kg |
| SCS 6 | 142 | 107 | 93 | 165 | 125 | 108 | 660 | 360 | 420 | 12 kg |
| SCS 8 | 216 | 183 | 158 | 330 | 232 | 200 | 840 | 555 | 510 | 16 kg |
| SCS 10 | 341 | 242 | 208 | 426 | 302 | 260 | 900 | 610 | 610 | 25 kg |
| SCS 10BB | 432 | 307 | 265 | 534 | 380 | 327 | 1055 | 765 | 610 | 30 kg |
| SCS 10XL | 568 | 403 | 346 | 670 | 477 | 409 | 1055 | 765 | 765 | 41 kg |
| SCS 12XL | 568 | 403 | 346 | 670 | 477 | 409 | 1055 | 765 | 765 | 41 kg |
| standard screen: aluminum | | | | | | | option: stainless steel | | | |

Parts Breakdown



Parts Breakdown



Parts List

| | | | |
|---------------------------|-------------------------|-----------------------|------------------|
| 1. Set Screw | 16. Uprights | 42. Wheel Bushing | 53. Threaded Cap |
| 2. Main Tube | 17. Rib | 43. Wheel | 55. Cap Ring |
| 3. Inner Feed Pipe Spacer | 18. Feed Pipe | 44. Nylon Locking Nut | 56. PVC Cap |
| 4. Feed Pipe Nipple | 19. Spray Nipple | 45. Wheel Washer | 57. Cap Spacer |
| 5. Outer Feed Pipe Spacer | 20. Spray Nozzle | 46. Nut | 58. Cap Plug |
| 6. Outer Feed Pipe Elbow | 24. Bottom Inner Ring | 47. Wheel Bolt | 59. Cap Bolt |
| 7. Inner Feed Pipe Elbow | 25. Bottom Outer Cover | 48. Wear Ring Screw | 60. Jam Nut |
| 11. Screen Bolt | 38. Fender Washer | 49. Tube Plug | 61. Small Washer |
| 12. Top Outer Cover | 39. Locking Star Washer | 50. Thrust Bearing | |
| 13. Top Inner Ring | 40. Wear Ring | 51. Spacer Bearing | |
| 15. Screen | 41. Poly Seal | 52. Thrust Bearing | |

Quality and Service Since 1932

